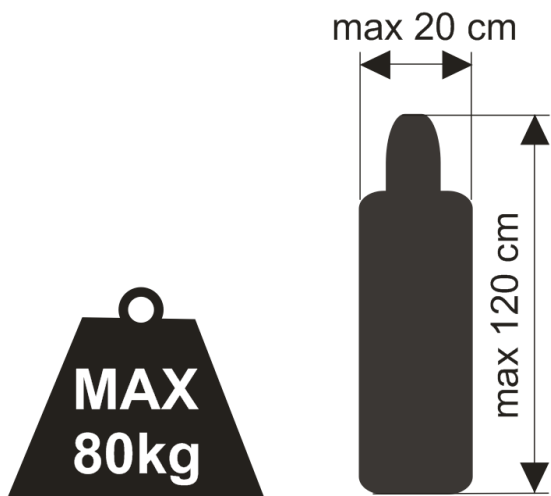
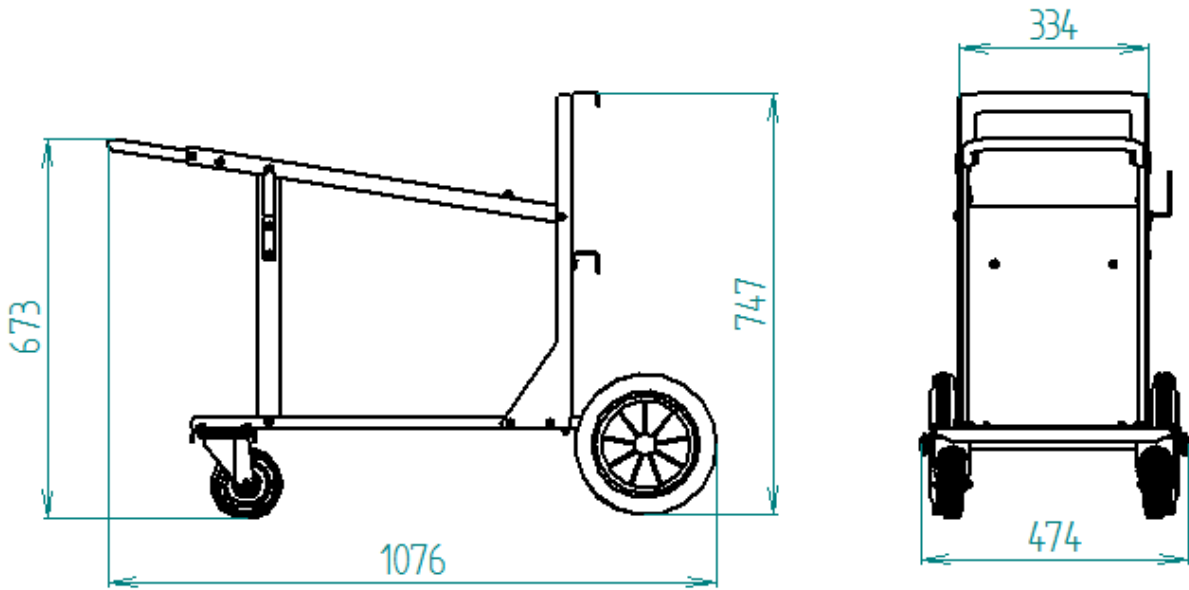
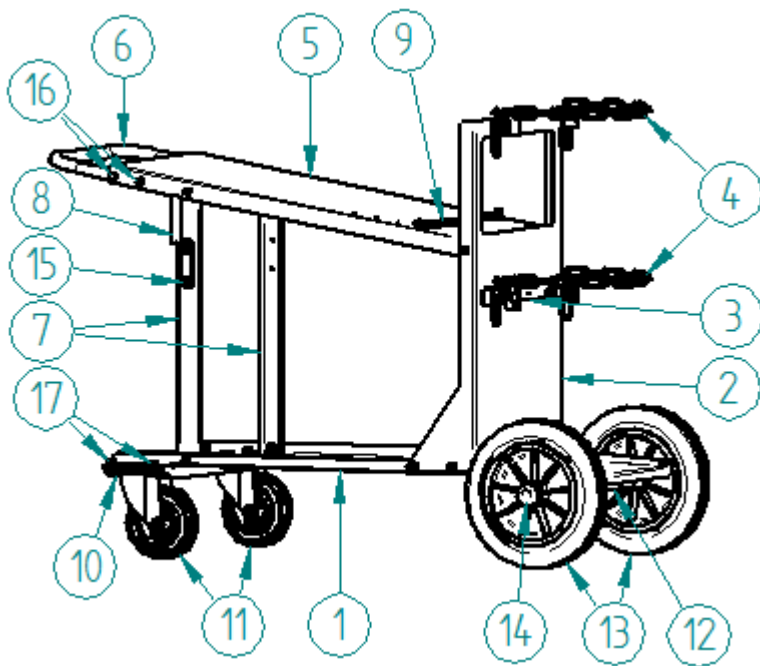


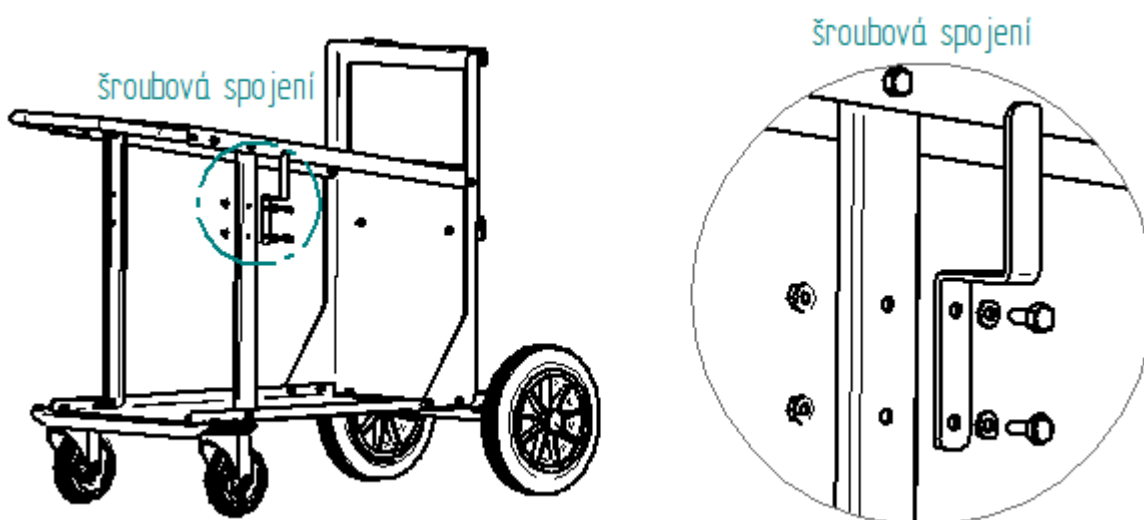
MANUAL P 80



1.

22x
M6x164x
M6x3026x
M626x
 ϕ 6,48x
M8x168x
M88x
 ϕ 8,4

2.



3.

