

WELDING MACHINES

aXe 400 IN
aXe 500 IN

OPERATING MANUAL



CONTENT:

1. INTRODUCTION	3
2. SAFETY PRECAUTIONS	4
3. TECHNICAL DATA	6
4. MAIN PARTS OF THE MACHINE	8
5. ACCESSORIES	10
6. CONTROL PANEL	12
7. BASIC SETTINGS	13
8. SAVE AND LOAD WELDING PROGRAMS - FLASH MEMORY	14
9. MIG/MAG MANUAL	14
10. MIG/MAG SYNERGY	14
11. MODE 2T/4T/STEPS	16
12. SECONDARY PARAMETERS MENU	17
13. RESET	18
14. JOB MENU	18
15. REMOTE CONTROL	19
16. ELECTRODE METHOD	21
17. ERROR MESSAGES	22
18. GETTING STARTED	22
19. GETTING STARTED – COATED ELECTRODE	30
20. ROUTINE MAINTENANCE & INSPECTION	30
21. STATEMENT OF WARRANTY	31
22. DISPOSAL	32
23. WARRANTY LIST	32

1. INTRODUCTION

Dear consumer,

Company ALFA IN a.s. thanks you for buying our product and believe that you will be satisfied with our machine.

Welding machine may be operated only by trained persons and only in the technical provisions. Company ALFA IN a.s. accept no responsibility for damage caused by improper use. Before commissioning please read carefully this manual  .

The machine complies with the appropriate CE mark.

For maintenance and repairs, use only original spare parts. There is of course a complex of our services.

Welding machine aXe 400/500 IN is designed for MIG / MAG, MMA and gouging. By the machine aXe 400/500 IN you can weld different types of connections (butt, single-sided, double-sided, fillet, lap, etc.) using wire from diameter 0.8 to 1.2 respectively to 1.6 mm of different metals and alloys (carbon and alloy steels, aluminum alloys, etc.). They are designed primarily to medium and large industrial facilities where are high demands on ease of use, reliability and productivity with prolonged use.

Welding machines aXe 400/500 IN are available in:

1. aXe 400 IN COMPACT (H2O) - compact welding machine and the option of a water cooled torch
2. aXe 500 IN COMPACT (H2O) - compact welding machine and the option of a water cooled torch
3. aXe 400 IN (H2O) - welding machine with separate wire feeder and the option of a water cooled torch
4. aXe 500 IN (H2O) - welding machine with separate wire feeder and the option of a water cooled torch

We reserve the law of adjustments and changes in case of printing errors, change of technical paramaters, accessories etc. without previous notice. These changes may not be reflected in the manuals for use in paper or electronic form.



2. SAFETY PRECAUTIONS

1. Use and maintenance of welding and cutting machines can be dangerous. Please draw user's attention to follow the safety precautions to avoid injuries. Welding and cutting machines must be used appropriate and only by specialist staff. Please inform yourself constantly about the valid safety precautions and regulations of accident prevention by working with this machine*.
2. Remove all flammable material from the welding area for fire prevention before welding.
3. Do not weld at containers which were filled up before with flammable materials (fuel).
4. All inflammable material in the welding area which could be inflamed by sparks must be removed.
5. Check after welding the place conforming UVV.
6. Do not expose the unit to rain, steam and do not spray water in it.
7. Do not weld without protection shield. Keep attention to protect other persons in the welding area against arc-rays.
8. Please use absorbers or other systems to absorb the gases.
9. It is not possible to absorb all the gases correctly please use a breathing apparatus.
10. Stop operation immediately at a defect or damaging of the mains cable. Do not touch the cable. Unplug the unit before each service or repair. Do not use the machine if the mains cable is defect.
11. Place an extinguisher near the welding area.
12. Check the welding area against fire after welding.
13. Never try to repair a defect pressure reducer. Replace the defect one.
14. Keep attention to connect the ground cable near the welding location. Welding current through chains, ball-bearing or steel-cables may destruct or melt it.
15. Secure yourself and the unit at higher or inclinational places.
16. Connect the unit only at mains with correct connection to ground/earth and at prolongations and sockets too.
17. Wear correct protective clothing, gloves and leather apron.
18. Protect the welding area with curtains or mobile walls against rays.
19. Do not thaw frozen waterpipes or conductions with this unit.
20. In high electrical risk areas (in confined spaces) it is only allowed to use machines with –sign S.
21. Switch off the machine at breaks and close the valve of the gas cylinder.
22. Secure the gas cylinder with a chain against falling over.
23. Please take off the gas cylinder from the machine for transportation.
24. Disconnect the plug from the mains before changing the welding

area or repairs at the machine.

*) Please follow the current safety regulations corresponding to your country.

UNIT PROTECTION

1. This unit is protected electronically against overloading.
2. Close the side lid before welding.
3. Connect the workpiece with the groundcable to the unit.
4. Remove welding spatter from the inside of the gas nozzle with a special pair of pliers. Spray with anti spatter spray inside the gas nozzle to avoid adherence of spatters. Spray sloping to avoid the obstruction of the gasoutlet.
5. At transportation of the unit only use the purposed transportation facilities, do not use a fork-lift truck or something similar.

EMISSION OF SOUND

The sound level of the unit is smaller as 70 dB (A) measured at standard load conforming EN 60 974 at the max. workpoint.

NOTE:

Device complies with IEC 61000-3-12.

Working ambient temperature between -10 and +40 °C.

Relative humidity below 90% at +20 °C.

Up to 3000 m altitude.

The stability of the machine is guaranteed up to 10° inclination under the following conditions:

- a. The machine must be secured against rolling away
- b. The wire feed unit must not be mounted on the generator
- c. The gas bottle with a maximum height of 0.9 m may be placed and properly anchored on the platform

It is necessary to protect the machine against:

- a. Moisture and rain
- b. Mechanical damage
- c. Draft and possibly ventilation of neighboring machines
- d. Excessive overloading – exceeding tech. parameters
- e. Rough treatment
- f. Chemically aggressive environments

ELECTROMAGNETIC COMPATIBILITY

The welding device is in terms of interference designed primarily for industrial areas. It meets the requirements of EN 60974-10 class A and it isn't designed for using in residential areas, where the electrical energy is supplied by public low-voltage power supply network. It can be here potential problems with ensuring of electromagnetic compatibility in this areas, due to interference caused by power lines as well as the radiated interference. During operation, the device may be the source of interference.

 Caution 

We warn users, that they are responsible for possible interference from welding.

3. TECHNICAL DATA

Technical data		aXe 400 IN		aXe 500 IN	
Method		MIG/MAG	MMA	MIG/MAG	MMA
Mains voltage	V/Hz	3 x 400/50			
Fuse	A	32 @			
Max. effective current I_{1eff}	A	29,8	30,3	31,3	30,3
Welding current range	A	40 - 400	10 - 400	40 - 500	10 - 400
Open circuit voltage U_{20}	V	92.0			
Welding current (DC=100%) I_2	A	400	400	420	400
Welding current (DC=60%) I_2	A	---	---	500	---
Welding current (DC=x%) I_2	A	100%=400	100%=400	60%=500	100%=400
Protection		IP 23S			
Standards		EN 60974-1, EN 60974-10 cl. A			

Generator		
Weight	kg	84,0
Dimensions (W x D x H)	mm	474 x 846 x 956

Compact		
Wire feed speed	m/min	1-25
Spool diameter	mm	300
Spool Weight	kg	18,0

Max. pressure of the gas	Bar	5,0
Weight	kg	99,0
Dimensions (W x D x H)	mm	474 x 876 x 1150

The drive unit		
Wire feed speed	m/min	1-25
Spool diameter	mm	300
Spool Weight	kg	18,0
Max. pressure of the gas	Bar	5,0
Weight	kg	21,5
Dimensions (W x D x H)	mm	270 x 704 x 507
Protection		IP 23S
Standard		EN 60974-5

Cooling Unit		
Cooling capacity (Q=1l/min)	kW	0,74
The total content of liquid (compact)	l	5,0
The total content of liquid (generator)	l	3,5
Max. pressure	Bar	3,5
Max. flow rate	l/min	8,0
Input voltage U ₁	V/Hz	230/1~50
Protection		IP 23S
Standard		EN 60974-2



Attention

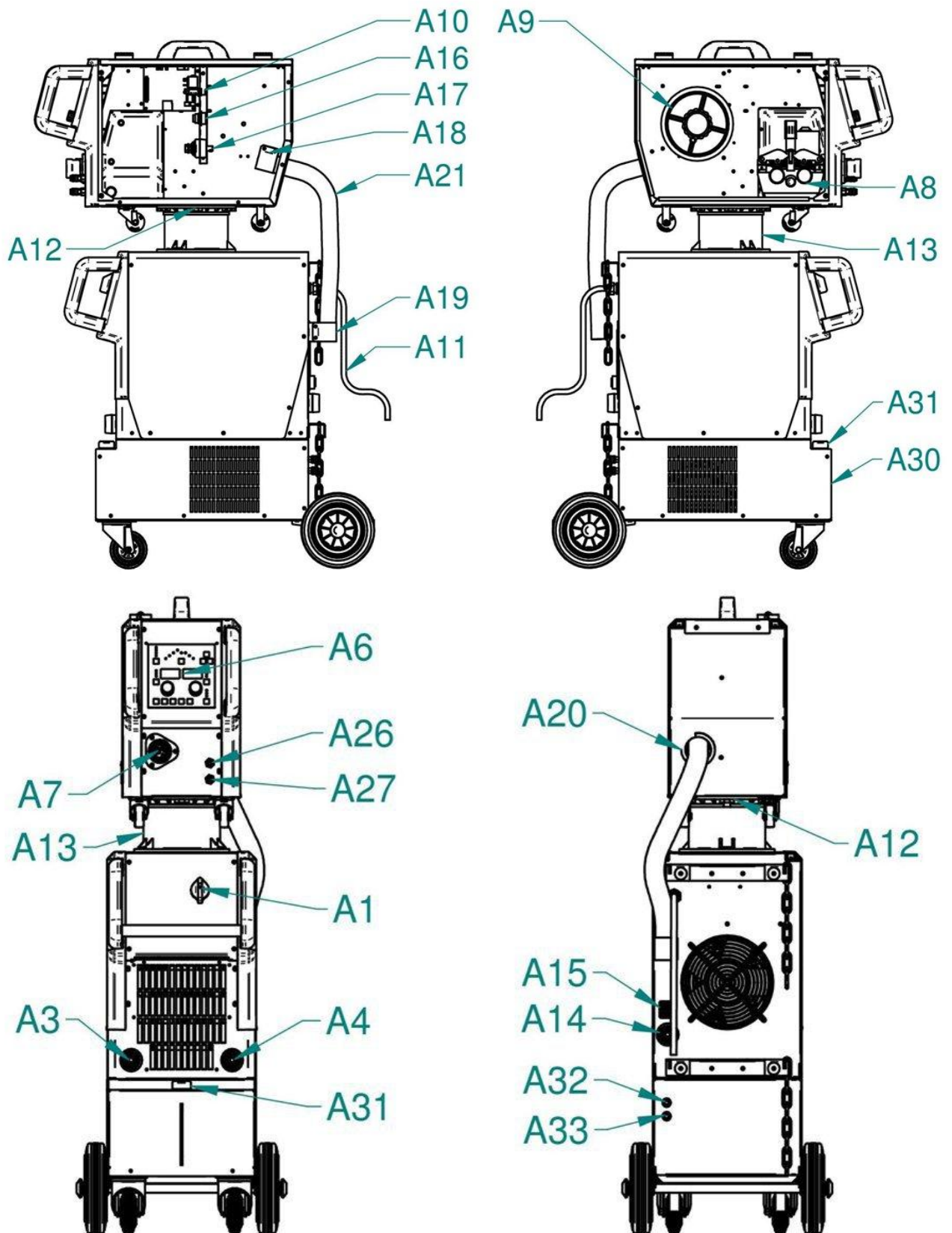
Given the size of the installed capacity, the connection of the device to the power supply must be approved by distribution companies.



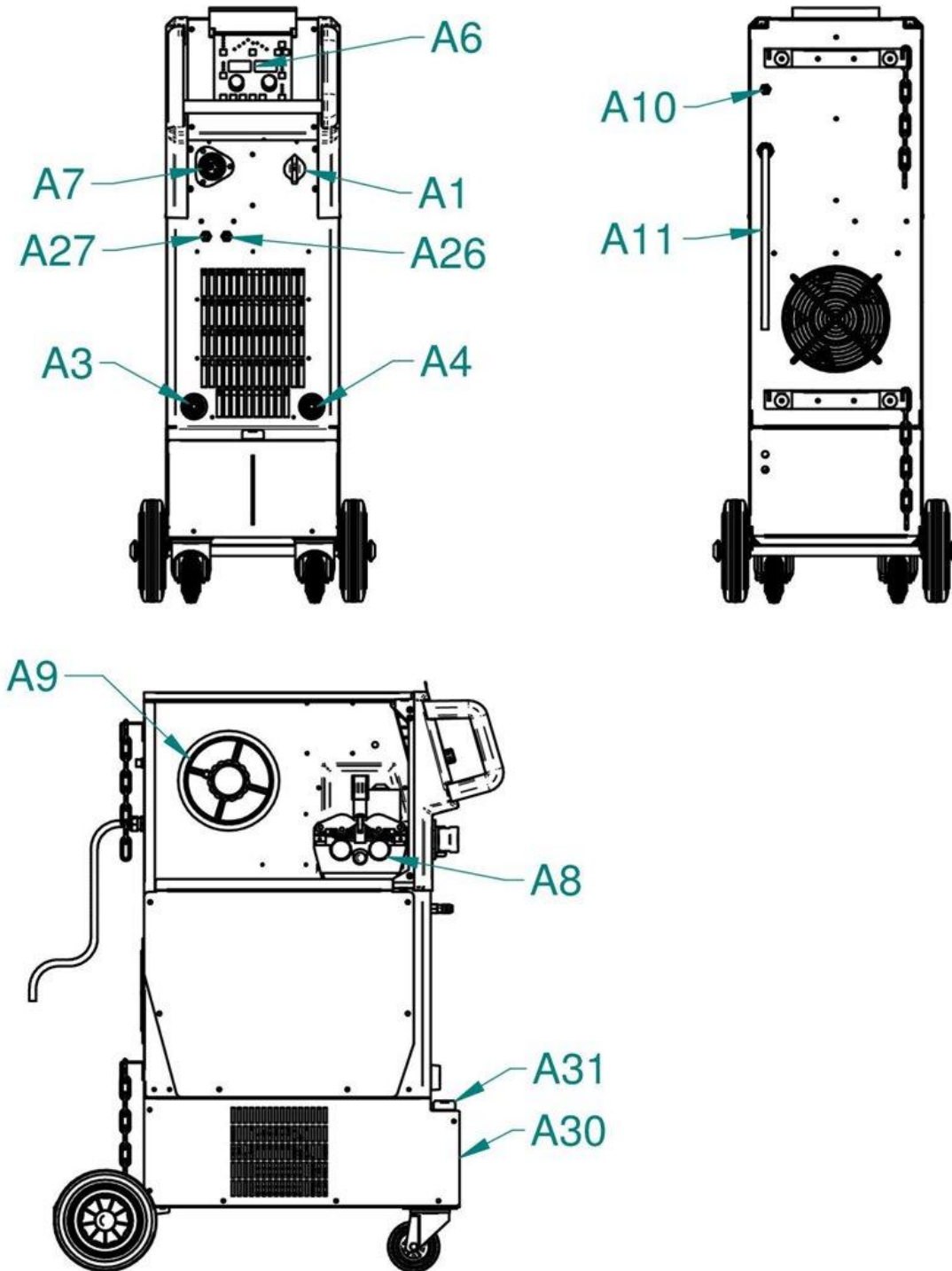
Attention

Users are reminded that they are responsible for any interference from welding.

4. MAIN PARTS OF THE MACHINE



Picture 1 - The main part of the machine aXe 400/500 IN



Picture 2 - The main part of the machine aXe 400/500 IN COMPACT

A1	ON/OFF switch
A3	Quick connector (+)
A4	Quick connector (-)
A6	PCB control panel
A7	EURO connector
A8	Wire Feeder

A9	Spool Holder
A10	Solenoid Valve
A11	Mains Cable
A12	Feeder Holder Feede
A13	Feeder Holder Generator
A14	Quick connector
A15	Connector female
A16	Connector male
A17	Quick Connector male
A18	Clamp for the cable Bundle
A19	Clamp for the cable Bundle
A20	Cable Bundle Inlet Feeder
A21	Cable Bundle
A26	Quick connector W (red)
A27	Quick connector W (blue)
A30	CU aXe Cooling unit
A31	Cup
A32	Quick connector W (red)
A33	Quick connector W (blue)

5. ACCESSORIES

SOFTWARE

The manual describes the fully equipped machine. All of these features may not be available.

BASIC

1. MIG/MAG method - manual, synergy
2. possibility of connecting the remote control UP DOWN

EXTENSION

1. ELECTRODE method
2. 5 instant memories
3. Menu JOB functions – to store up to 99 JOBS.

INCLUDED IN DELIVERY

1. Power generator + drive unit / COMPACT
2. 3 m long earthing cable with clamps
3. Rolls for wire with diameters from 1.0 to 1.2 mm
4. Reducing for the spool wire 5 kg and 18 kg
5. Hose for gas connection

6. Water hose

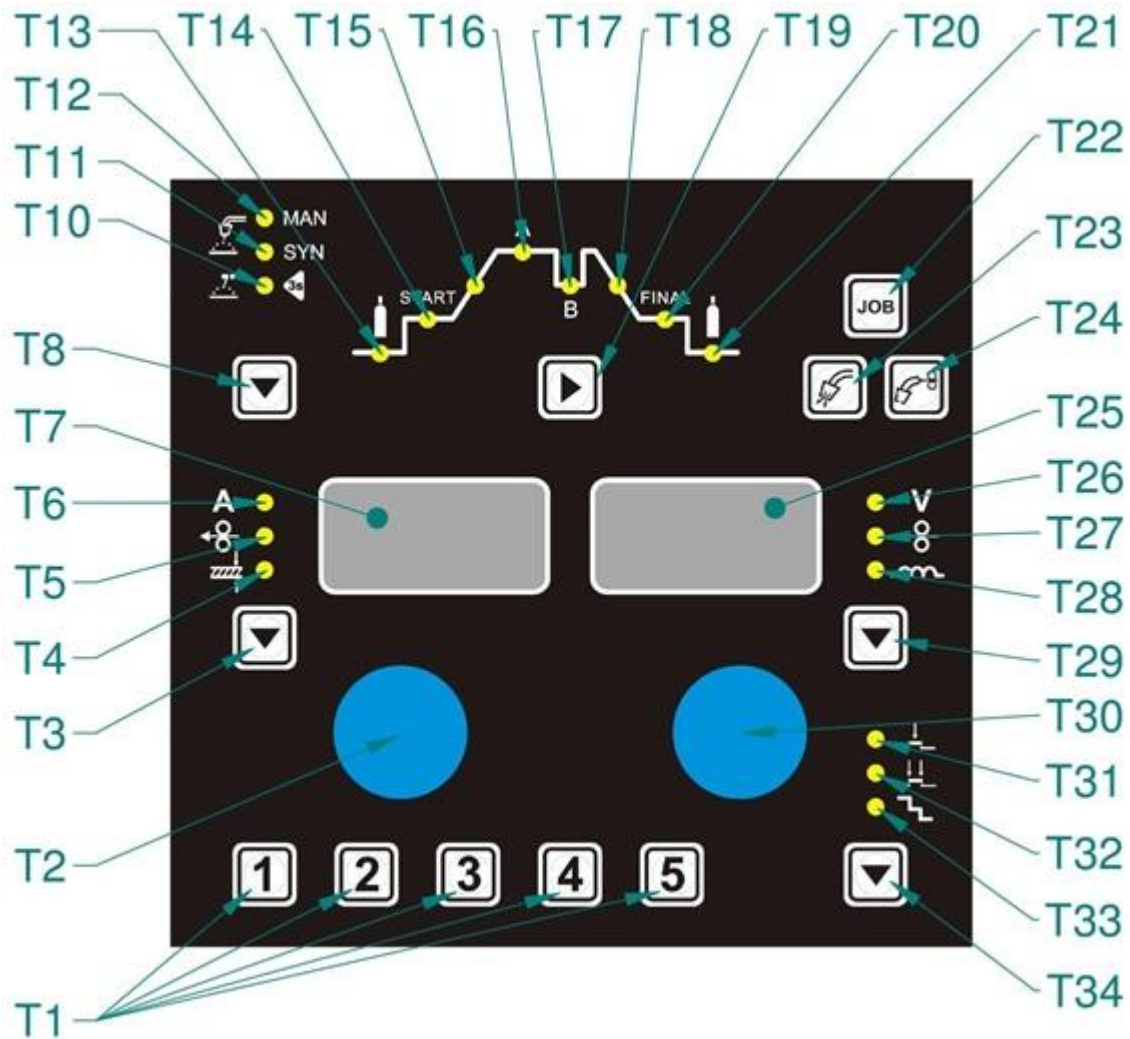
ACCESSORIES ON REQUEST

1. Pressure regulator
2. Gas bottle
3. Wire cleaner
4. Torch holder
5. Spare parts for the torch
6. Remote control UP-DOWN
7. Earthing cable, lengths 4-5 m
8. Connecting cables 2, 5, 10, 15, 20 m
9. Rolls 0,6-0,8, 1,0-1,2, 1,4-1,6, 1,6-2,4
10. Welding cables for coated electrodes

TORCH ON REQUEST

1. torch PUSH-PULL up to 25 m
2. torch PARKER DIGIMIG 501W 3 m – 5 m

6. CONTROL PANEL



Picture 3 - Panel of the machine

T1	Instant JOB buttons (1-5)
T2	Current encoder
T3	Button for selecting the parameters to be displayed.
T4	Control light Material thickness (mm)
T5	Control light Wire speed (m/min)
T6	Control light Current (A)
T7	Left display
T8	Button for selecting the method
T9	Control light TIG – not active
T10	Control light Coated electrode - MMA
T11	Control light MIG/MAG Synergy
T12	Control light MIG/MAG Manual
T13	Control light Pre Gas Time (s)
T14	Control light Start Current (A)
T15	Control light Upslope (s) – not active yet

T16	Control light Main Welding Current A (A)
T17	Control light Main Welding Current B (A)
T18	Control light Downslope (s) – not active yet
T19	Button for selecting parameters on the curve T13-T21
T20	Control light Final Current (A)
T21	Control light Post Gas Time (s)
T22	Button JOB
T23	Button Gas Test
T24	Button Wire Feeding
T25	Right display
T26	Control light of Voltage or Voltage Correction
T27	Control light of Wire Speed Correction
T28	Control light of Choke or Choke Correction
T29	Button for selecting the parameters to be displayed.
T30	Encoder Voltage or Correction
T31	Control light two stroke – 2T
T32	Control light four stroke – 4T
T33	Control light Steps
T34	Button for selecting the parameters to be displayed.
H1	Torch Remote Control Display
H2	UP-DOWN buttons
H3	Button for changing the function of the button H2

7. BASIC SETTINGS

SETTING THE METHOD - BUTTON T8

Function may not be available, depending on the software of the machine.

1. Short pressing switches between the manual or synergic method.
2. Long pressing (more than 4s) selects the ELECTRODE mode.

GAS TEST - BUTTON T23

1. Long pressing (more than 4s) opens the gas valve for 20 s.
2. To stop, press any button.
3. If you keep the button pressed for less than 4 s, when you release it the gas valve will switch off the gas supply.

WIRE FEEDING- BUTTON T24

The wire feeder starts feeding at the speed 15 m/min.

COOLING TEST: +

When long pressing (more than 4s) buttons **T23** and **T24** at the same time the fan and pump will start running. To stop, press any button.

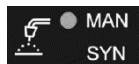
8. SAVE AND LOAD WELDING PROGRAMS - FLASH MEMORY

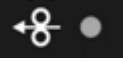


1, **2**, **3**, **4**, **5**

Function may not be available, depending on the software of the machine.

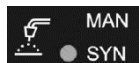
1. To save a JOB, keep the button **T1** pressed until the display starts flashing. JOBS are stored as active (they can be switched by remote control on the burner).
2. To load JOB press shortly **T1** button

9. MIG/MAG MANUAL



1. The left display **T7** shows the wire feed speed **T5** , the right display **T25** shows voltage **T26**  or choke **T27** .
2. Wire feed speed is set by the encoder **T2**.
3. Voltage or choke is adjusted via the encoder **T30**.
4. Voltage or choke can be displayed and set by long-pressing **T29**.
5. If the torch with remote control is connected, the display on the torch will show the wire speed, voltage or choke. Use UP-DOWN rocker button to set the displayed value, round button changes the function. In case the JOB function is selected, it is possible switch among the active JOBS by means of the UD buttons of the torch.

10. MIG/MAG SYNERGY


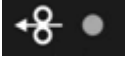






1. Press and hold the encoder **T2** to enter the menu, where you can select the synergistic curve. The left display **T7** shows **SYN**, the right display **T25** shows No. of the synergy curve as P.xx
2. By means of turning the encoder **T2** select your synergy curve and confirm by pressing the encoder **T2**.



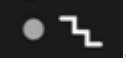
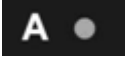

P.00 - Material: SG / Fe wire diameter: 1.0 mm, gas: ArCO₂ (82/18).

P.01 - Material: SG / Fe wire diameter: 1.2 mm, gas: ArCO₂ (82/18).

- P.02 - Material: SG/Fe, wire diameter: 1,0 mm, gas: CO₂.
 P.03 - Material: SG/Fe, wire diameter: 1,2 mm, gas: CO₂.
 P.04 - Material: CrNi 308, wire diameter: 1,0 mm, gas: ArCO₂ (97,5/2,5).
 P.05 - Material: CrNi 308, wire diameter: 1,2 mm, gas: ArCO₂ (97,5/2,5).
 P.06 - Material: CrNi 316, wire diameter: 1,0 mm, gas: ArCO₂ (97,5/2,5).
 P.07 - Material: CrNi 316, wire diameter: 1,2 mm, gas: ArCO₂ (97,5/2,5).

3. The left display **T7** shows the machine performance (current , wire feed speed , material thickness ). The right display **T25** shows voltage.
4. The value of the correction (Voltage , wire speed ) or the value of the choke  is shown on the display **T25** only at the time of selecting the values. (Changing the method using the wire correction is possible by pressing and holding the button **T13**). (When you change the welding power by turning the encoder **T2** it will reset the correction, in other words the machine uses parameters from the factory stored synergic curves. The machine supports the possibility of maintaining a user-defined correction when changing the welding power. Switching to such arrangements must be made by the manufacturer or an authorized service center.)
5. If the correction is zero, the display **T25** on would show voltage value.
6. Button **T3** selects the parameters to be displayed on **T7** display (current, wire speed, material thickness).
7. Machine output (current, wire feed speed, material thickness) is set by the encoder **T2**.
8. Button **T29** to switches between correction of voltage (or wire speed) and correction fo the choke. (To change the meaning of the correction from Voltage to Wire speed, keep the button **T29** pressed for 4 seconds).
9. The correction (of Voltage, wire speed) of the value of the choke can be set by means of the encoder **T30**.
10. If the torch with remote control is connected, the display on the torch will show the wire speed, voltage or choke. Use UP-DOWN rocker button to set the displayed value, round button changes the function. In case the JOB function is selected, it is possible switch among the active JOBS by means of the UD buttons of the torch.

11. MODE 2T/4T/STEPS

1. Press the button T34 to switch the mode 2T / 4T / steps (synergy only).
2T  /4T  / steps (only in synergy mode) .
2. In steps mode it is possible to set values of the current and pre and post gas by pressing the button T19.
3. Press the switch T19 to switch individual parameters, the parameter is signaled by LED on the curve.
4. During the steps mode, encoder T2 sets the machine performance.
5. The main current MAIN A = B, the starting current START = 1.2 x A and the final current FINAL = 0.7 x A.
6. During welding, the display T7 shows measured value of welding current  and the the display T25 shows voltage .
7. After welding, on the display will remain measured value (HOLD) for 4 secs.

2T TWO STROKE:

1. Tact – press and hold the button	the machine will start welding
2. Tact – release the torch button	the machine will stop

4T FOUR STROKE:

1. Tact – press and hold the button	the machine will start welding
2. Tact – release the torch button	the machine will continue
3. Tact - press the torch button	the machine will stop
4. Tact - release the torch button	

FOUR STROKE STEPS: (ONLY IN SYNERGY MODE)

A = B (MAINS CURRENTS ARE EQUAL)

1. Tact – press and hold the button	the machine will start welding with the START current
2. Tact – release the torch button	the machine will continue with the MAIN current
3. Tact - press the torch button	the machine will start welding with the FINAL current
4. tact - release the torch button	the machine will stop

A ≠ B (MAIN CURRENTS ARE DIFFERENT) BILEVEL

The difference from A = B is in the second tact, quickly pressing and releasing the torch switches between two main welding currents.

CHOKE BEHAVIOUR IN STAIR MODE

The choke can be adjusted when the stairs are active, but this change has no effect. The machine calculates the complete settings (including the optimal choke) for the individual welding current levels (SCU, BCU, ECU) according to the synergy. By calculating the individual levels, the choke is reset after welding to a level that is based on the synergy for the value of the termination current (ECU). It is necessary to readjust the choke through the individual current levels to ensure quality welding parameters.

If you save a JOB with a choke change, the value of the choke you saved will be displayed when you reload the JOB. After welding, the value of the choke according to the synergy for the termination current is displayed. The choke setting in the saved JOB will remain the same as the initial save, so you will see the saved value when you reload the JOB.

12. SECONDARY PARAMETERS MENU



1. Simultaneously pressing T34 and T2 encoder enters the menu for secondary parameters.
2. T2 encoder selects a parameter (ISP, PRG, PoG, brn), T30 encoder sets the desired value.
3. The secondary parameters are the same for either manual or synergy modes.

Symbol	Meaning	Range (Default)
ISP (Initial speed)	Approaching speed	10 - 100 % (30 %).
PrG (Pre gas time)	Pre gas	0 - 20 s (0,1 sec).
PoG (Post gas time)	Post gas	0 - 20 s (0,5 sec).
brn (Burnback)	Burnback	0 - 75 ms (35 ms)
CAL (Calibration menu)	Calibration menu	x.xx (software version – for service use only)

4. Press the encoder T2 to confirm the change.
5. Press any button to exit the menu without saving changes.
6. Long pressing of the button **T1(1)** will show the configuration of the motor PCB CFG (--- basic, **E--** - electrode, **--5** -5 easy Jobs, **E-5** – electrode + 5 easy Jobs, **-99** – 5 easy Jobs + 99 Jobs, **E99** – full configuration)
7. Long pressing the button **T1(2)** will show the configuration of the Control PCB (on the left display **T7** to machine power, on the right display **T25** 0/1 – the function of cutting the ball off at the end of welding is OFF/ON.
8. Long pressing of the button **T1(3)** will show the welding time in hours.

13. RESET

”LARGE RESET“



1. Pressing T34+T19 at the same time more than 4 s makes RESET – default parameters will be restored.
2. It will delete saved JOBS!

”SMALL RESET“



Pressing T34+T1[5] at the same time more than 4 s makes RESET – default parameters will be restored. Saved JOB remain.

14. JOB MENU



Features may not be available (depending on the software of the machine).

SAVING THE JOB (JOB SAV)

1. Long pressing the button T22 (more than 4 s) enters the Jobs Save Menu.
2. The left display T7 shows JOB, the right display T25 shows the number of the JOB.
3. T30 encoder sets the number of JOB.

Symbol before the number means:

E. - (empty) - JOB is empty.

n. - inactive JOB (can not switch with the remote control).

A. - active JOB (can be switched by remote control).

4. Press the encoder T2 to confirm the saving of the JOB.
5. Press any button to exit the JOB menu without saving.

LOADING THE JOB (JOB LOA)

1. Short pressing the button T22 enters JOBS Load Menu.
2. The left display T7 shows JOB, the right display T25 shows the number of the JOB.
3. T30 encoder sets the number of JOB.

Symbol before the number means:

E. - (empty) - JOB is empty.

n. - inactive JOB (can not switch with the remote control).

A. - active JOB (can be switched by remote control).

4. With the encoder T2 you can set the JOB as active (A.) or inactive (n.)
5. Confirm by pressing the encoder T2.
6. Press any button to exit the menu.

When loading the JOB, the display goes off. If everything is OK, the screen will display stored values. If an error occurs during the loading (e.g. JOB is empty), the display will show **JOB Err**.

When the JOB is saving, display blinks several times. JOBS are stored as inactive (n.).

15. REMOTE CONTROL

JOB SELECTION WITH REMOTE CONTROL







Features may not be available (depending on the software of the machine).

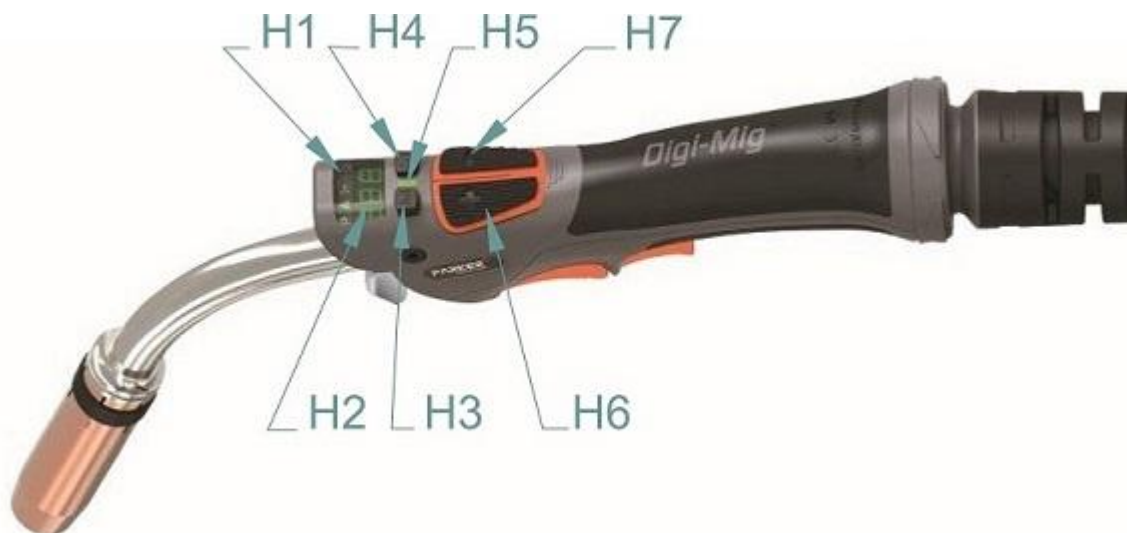
There are 2 software variants available for this machine:

- module with 5 JOBS (code: aXe.IN.5) - limited machine variant where JOBS cannot be switched by the torch
- module with 99 JOBS (code: aXe.IN.9) - full-featured machine variant where JOBS can be switched by the torch

ENABLE JOB SWITCHING VIA REMOTE CONTROL (ONLY FOR VERSIONS BELOW 0.24)

1. When the machine starts, this feature is automatically disabled.
2. Pressing T34  + T22  at the same time for more than 4 s activates operating JOBS by means of remote control on the torch. The display shows JOB.
3. Pressing T34  + T22  at the same time for short time deactivates operating JOBS by means of remote control on the torch. The display shows JOB off.








REMOTE CONTROL FROM THE TORCH PARKER



Picture 4 - Remote control from the torch

Pos	Description
H1	H1 symbol display
H2	H2 display
H3	The M button selects functions MAN: Wire feed speed, Voltage/Damping (selectable depending on machine settings - button V13), JOB SYN: Power, Correction/Damping (selectable depending on machine setting - button V13), JOB Switch between the different JOBS with the H6 (+) and H7 (-) buttons
H4	The LOCK button locks/unlocks the UP/DOWN and M buttons Pressing the burner button automatically locks the UP/DOWN and M buttons.

H5	The LED indicates the unlocking of the UP/DOWN and M buttons.
H6	Torch button UP
H7	Torch button DOWN

Symbols on the torch display H1	
Symbol	Description
	A synergic program is running on the welding machine
	Amperage setting (SYN)
	Wire speed setting
No symbol	Material thickness setting (SYN) Voltage setting (MAN)
	Correction (SYN)
Symbols on the torch display H2	
	JOBs (xx – JOB No)
	Choke level (SYN/MAN). (Only with firmware 2015 and newer)
	Machine is in MMA (Electrode) mode

16. ELECTRODE METHOD



Features may not be available (depending on the software of the machine).

1. Control light. When illuminates the MELECTRODE mode has been selected.
2. The welding current is set by the encoder T2.
3. During welding, the display shows measured values of welding current



4. After welding, on the display will remain measured value (HOLD) for 4 secs.
5. If the torch with a remote control is connected, is shown on the display ELE.

6. If the MIG/MAG torch stays connected, the welding voltage will be on it.

17. ERROR MESSAGES

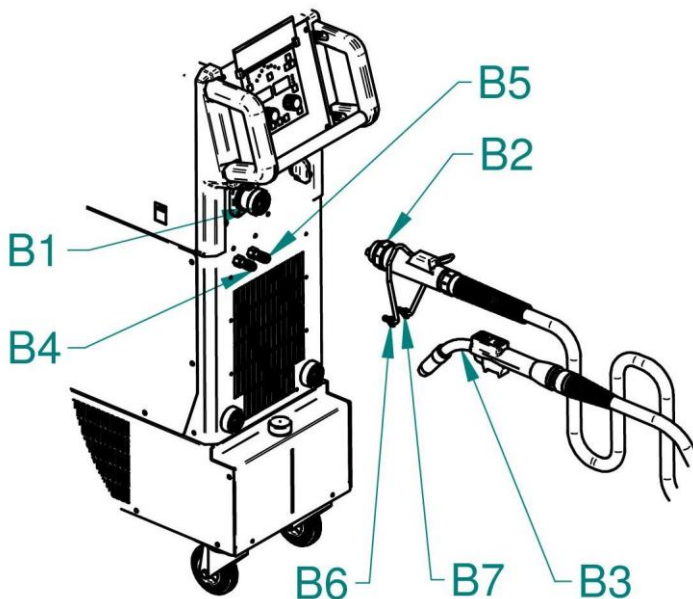
1. The left display T7 shows Err, the right display T25 shows number of the error.
2. To remove the error message, press the encoder T2.
3. ERR 1 - Overheating of the machine. Let the engine cool down, **DO NOT POWER OFF THE MACHINE!** Error message can be cleared after the machine is cooled down by pressing the encoder T2. /
ERR 1 - Power failure, phase missing.
4. ERR 2 - Small liquid pressure. Check the fluid level in the tank or clean water circuit.

18. GETTING STARTED

Getting started must be consistent with technical data and conditions of use.

TORCH INSTALLATION

1. Never connect the torch in the machine if it's still running!
2. Connect the EURO connector male B2 to EURO connector B1. Then, connect Quick connector torch W (red) B6 to the Quick connector W (red) B4 and the Quick connector torch W (blue) B7 to the Quick connector W (blue) B5
3. When connecting a gas-cooled torch, it is necessary to interconnect the quick connectors with water hose of the hydraulic circuit. If this condition is not met, it may result in damage to the pump.



Picture 5 – Torch INSTALLATION

COOLING SYSTEM OF THE WATER-COOLED TORCH

1. Cooling unit **A30** is located at the bottom of the machine.
2. In this ALFA IN machine is the pump seal specially designed for the cooling liquid ACL-10 (pink colour, ordering number: 4600, 5 l canister. Working area – ambient temperature -10 °C to +40 °C).
3. When using other liquid, it may cause the leakage of the cooling circuit. The manufacturer's warranty is not applicable to defects in the cooling circuit when using liquids other than ACL-10.
4. We recommend replacing the liquid completely in one to three years. The liquid must not be mixed with any other kind of liquid. The process of replacing the liquid can be found on the internet address https://www.alfain.eu/static/_dokumenty/1/2/9/7/1/1/Vymena-chladici-kapaliny1-navod-CZ.pdf
5. Liquid level in the tank must be between maximum and minimum. (The maximum is the upper limit of the watermark and the minimum is half the scale on the watermark after complete filling of the water circuit of the machine.)

If an error message “**ERR 2**” - **Small liquid pressure** lights up during operation, turn off the main switch and check the liquid level on the watermark. After turning on the machine perform the cooling unit test. If the error recurs, the cause of the fault must be determined.

6. Liquid ACL-10 is not poisonous. However, due to its operation in the pump, the replaced liquid dispose of as hazardous waste. Do not burden the environment. In the worst case, take it to a collection yard in the original canister. You can find the safety data sheet on the link https://www.alfain.eu/static/_dokumenty/1/3/0/5/4/7/Safety-data-sheet-ACL-10.pdf



7. Note: When connecting a gas-cooled torch, it is necessary to interconnect the quick connectors with water hose of the hydraulic circuit. If this condition is not met, it may result in damage to the pump.

VENTING THE COOLING SYSTEM OF THE TORCH

After filling the empty cooling system of the torch (even in case of extensive leakage and venting) it is necessary to deaerate a complete circuit.

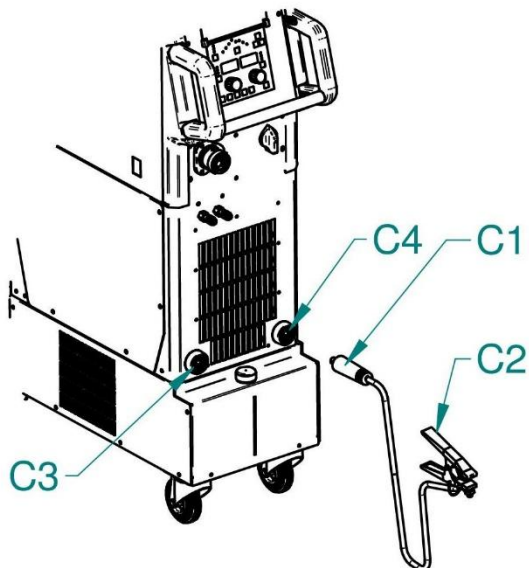
1. Remove the cover from the coolant reservoir and interconnect the quick connectors with water hose of the hydraulic circuit.
2. Run cooling test for about 30 seconds.
3. Plug the torch and run the cooling test for about 30 seconds.
4. If the “**ERR 2**” – **Small liquid pressure** shows after you press the torch button, it is necessary to repeat the procedure.

EARTHING CABLE CONNECTION

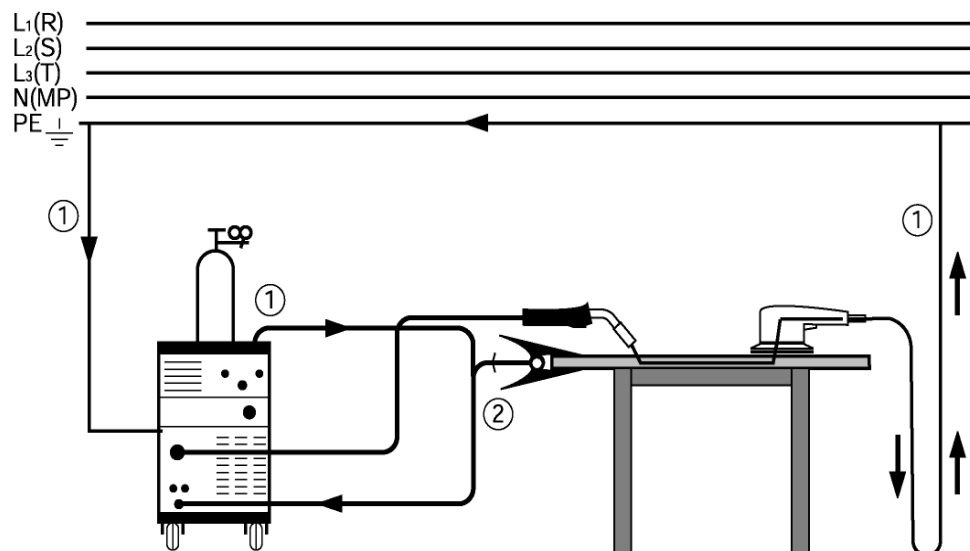
Connect the quick connector of the earthing cable **C1** to the quick connector located on the machine **C4** (-), secure it thoroughly by turning it clockwise. Attach the earthing clamp to weldment **C2**.

EARTHING CLAMP CONNECTION

Attach the earthing clamp near the weld. It is important to ensure that the connection with workpiece is as strong as possible.



Picture 6 - Earthing clamp connection



Picture 7 - Earthing clamp connection

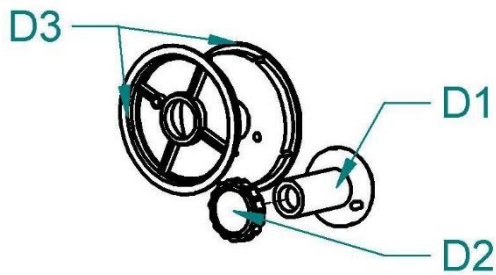
- ① Do not place the earthing clamp on the welding machine or a gas bottle!
- ② Firmly connect the earthing clamp to weldment or welding table.

CONNECTING TO POWER SUPPLY

Plug the power plug into the wall socket. Circuit breakers must conform to the technical dates of the machine.

INSERTING THE WIRE SPOOL

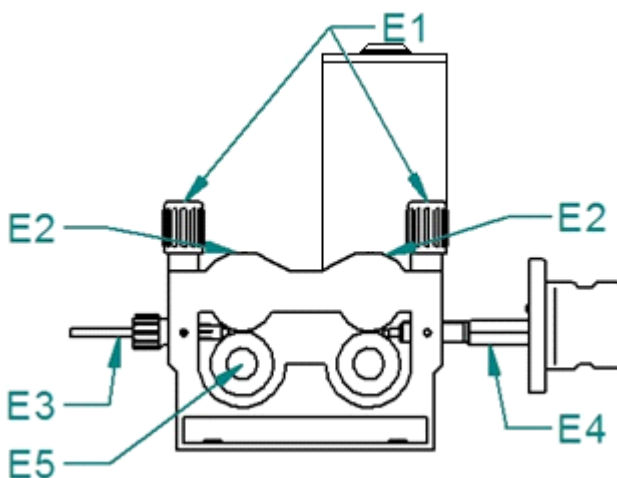
1. Open the wire feed door and loosen nut **D2** on spool holder **D1**. Insert the wire spool reducer **D3** and the wire spool onto it, secure by screwing in the nut **D2**. Before that, it must be ensured that the mandrel is inserted into the appropriate hole in the reducer or coil of wire.
2. If necessary, it is possible to adjust the braking force with the screw so that the wire does not unwind from the spool after stopping the wire feed.



Picture 8 - Wire spool holder

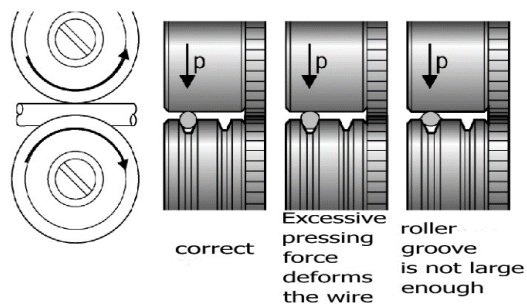
INSERTING THE WIRE

1. Unscrew the nozzle and the flow die on the burner. Open the wire feed door. The diameter of the wire must correspond to the size of the groove on the feed pulley. The size of the groove on the pulley can be read on pulley **E5**, lift the nuts **E1** and pass the wire electrode through the cable **E3** and the capillary of the EURO connector **E4**.
2. Press the pressure rollers **E2** and fix with nuts **E1**.
3. Switch on the machine with the main switch, run the welding torch cable and press the wire guide button.
4. Adjust the pressure force by turning the plastic parts on the **E1** nuts so that the wire is not deformed, but at the same time to have a regular wire feed.
5. Press and hold the wire guide button again until the wire appears at the end of the torch.



Poz.	Description
E1	Nut of pressure arm
E2	Pressure arm
E3	Inlet liner
E4	EURO connector
E5	Roll

Picture 9 - 4-roller feed



Picture 10 – Roller impact on the welding wire

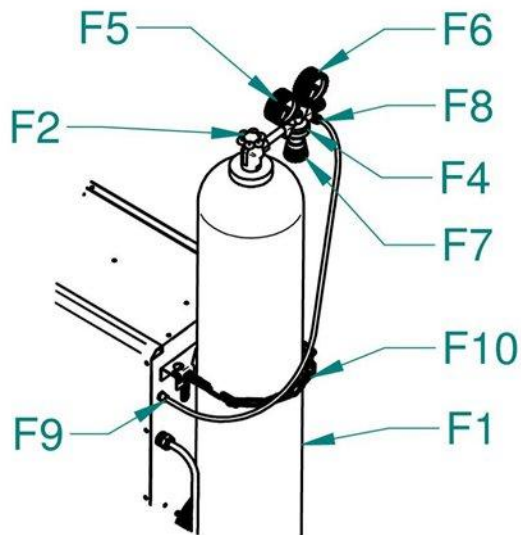
FEED ROLLS

		4 rolls
		a = 19 mm
		b = 37 mm
Groove type	Wire diameter	Item No
Steel 	0,6-0,8	4299
	0,8-1,0	4300
	1,0-1,2	4301
	1,2-1,6	4302
Aluminum 	1,0-1,2	4306
	1,2-1,6	4307
	1,6-2,0	4308
	2,4-3,2	4309
Flux core 	1,0-1,2	4303
	1,2-1,6	4304
	2,4-3,2	4305

GAS FLOW

1. Place the gas cylinder on the platform and fix it properly by the fixing chain. We recommend using bolts and nuts to fix it more safely.
2. Connect the pressure reduction valve on the gas cylinder.
3. Connect the gas hose to gas outlet **F8** on the valve and the gas inlet **F9** on the machine

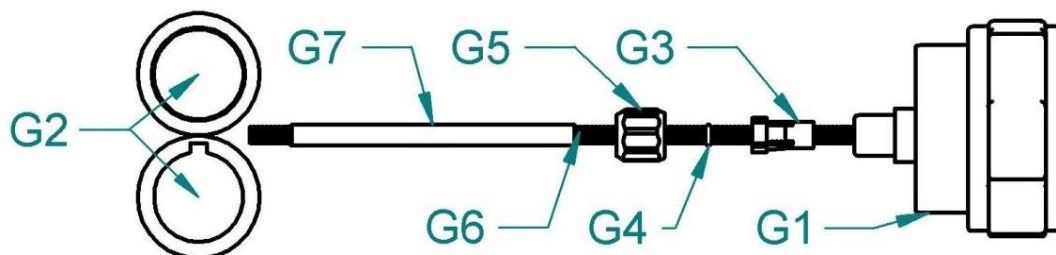
4. Open the **F2** cylinder valve
5. Press the button Gas test **T23** for more then 4 s
6. Adjust the amount of gas on the reduction gas valve (it is not a part of the welding machine) by the **F7** adjusting screw



Picture 11 - Adjusting the gas flow

ADJUSTING THE MACHINE FOR WELDING OF ALUMINIUM

1. Replace the rollers for rollers with U-profile of the groove (for AL welding)
2. Replace the torch used on steel for aluminum torch or at least replace the liner for Liner tefl. G6.
3. Replace the capillary from the EURO connector G1.
4. Cut end of the teflon liner G6 so that it is near the rollers.
5. Thread the end of the teflon liner with sustainpipe for teflon and plastic liner G7 for stabilization.
6. Put the torch on the EURO connector G1 and insert the wire.



Picture 12 – Customization of the feed for the aluminum wire

G1	EURO connector
G2	Rolls
G3	Liner terminal
G4	O - ring
G5	Nut

G6	Liner tefl.
G7	Sustainpipe for teflon and plastic liner

TABLE OF WIRE CONSUMPTION DURING WELDING

Wire diameter [mm]	Range of wire feed speed [m/min]	Maximal wire feed speed [m/min]	Weight of 1 m wire [g]	Wire consumption per 1 minute of welding [g/min]	Wire consumption per 1 hour of welding [g/hour]
Steel wire					
0,6	2 - 5	5	2,3	11,5	690
0,8	3 - 6	6	4	24	1440
1,0	3 - 12	12	6	72	4320
1,2	4 -18	18	9	162	9720
Stainless steel wire					
0,6	2 - 5	5	2,3	11,5	690
0,8	3 - 6	6	4	24	1440
1,0	3 - 12	12	6	72	4320
1,2	4 -18	18	9	162	9720
Aluminum wire					
0,6	2 - 5	5	0,8	4	240
0,8	3 - 6	6	1,3	7,8	468
1,0	3 - 12	12	2	24	1440
1,2	4 -18	18	3	54	3240

TABLE OF GAS CONSUMPTION DURING WELDING

Wire diameter [mm]	Gas flow [l/min]	Gas consumption per 1 hour of welding [l/hour]
0,6	6	$6 * 60 = 360$
0,8	8	$8 * 60 = 480$
1,0	10	$10 * 60 = 600$
1,2	12	$12 * 60 = 720$
1,6	16	$16 * 60 = 960$
2,0	20	$20 * 60 = 1200$

19. GETTING STARTED – COATED ELECTRODE

Getting started must be consistent with technical data and conditions of use.

1. Disconnect the MIG / MAG torch. If it is left connected, the welding voltage will be on it!
2. Earthing cable of the electrode holder connect to quick connectors A3 and A4, secure it thoroughly by turning it clockwise. Select the polarity according to the instructions on the packaging of the electrode you will weld with.
3. Attach the earthing clamp C2 to the weldment. Attach the earthing clamp near the weld. It is important to ensure that the connection with workpiece is as strong as possible.
4. Place the electrode into the electrode holder.
5. Turn on the machine with the main switch A1.
6. Long pressing the T8 button selects the ELECTROD method. For security reasons it is impossible to turn on the machine while this method is selected.
7. The requested current can be set by the encoder T2. The setting of the current can be saved in the JOB. The JOB can not be set as active.
8. You can start welding.

TABLE OF ELECTRODE CONSUMPTION DURING WELDING

Electrode diameter [mm]	Range of welding current [A]	Total electrode length [mm]	Weight of boiled electrode without slag [g]	Boiled electrode time [s]	Weight of boiled electrode without slag per 1 second [g/s]
1,6	30 - 55	300	4	35	0,11
2,5	70 - 110	350	11	49	0,22
3,2	90 - 140	350	19	60	0,32
4,0	120 - 190	450	39	88	0,44

20. ROUTINE MAINTENANCE & INSPECTION

1. The only routine maintenance required for the ALF range of machines is a thorough cleaning and inspection, with the frequency depending on the usage and the operating environment.

 **WARNING** 

Disconnect the ALF from the mains supply voltage before disassembling. Special maintenance is not necessary for the control unit parts in the Welder. If these parts are damaged for any reason, replacement is recommended.

 **CAUTION** 

1. Do not blow air into the welder during cleaning. Blowing air into the welder can cause metal particles to interfere with sensitive electronic components and cause damage to the welder.
2. To clean the welder, disconnect it from the mains supply voltage then open the enclosure and use a vacuum cleaner to remove any accumulated dirt and dust. The welder should also be wiped clean. If necessary, solvents that are recommended for cleaning electrical apparatus may be used.
3. Troubleshooting and repairing of ALF welding equipment should only be carried out only by suitably qualified or competent person.
4. A 'competent person' must be a person who has acquired through training, qualification or experience, or a combination of them, the knowledge and skills enabling that person to safely carry out a risk assessment and repairs to the electrical equipment in question.
5. The person carrying out the servicing needs and repairs must know what to look at, what to look for and what to do.

21. STATEMENT OF WARRANTY

1. In accordance with the warranty periods stated below, ALFA IN guarantees the proposed product to be free from defects in material or workmanship when operated in accordance with the written instructions as defined in this operating manual.
2. ALFA IN welding products are manufactured for use by commercial and industrial users and trained personnel with experience in the use and maintenance of electrical welding and cutting equipment.
3. ALFA IN will repair or replace, at its discretion, any warranted parts or components that fail due to defects in material or workmanship within the warranty period. The warranty period begins on the date of sale to the end user.
4. If warranty is being sought, please contact your ALFA IN product supplier for the warranty repair procedure.
5. ALFA IN warranty will not apply to:
 - a) Equipment that has been modified by any other party other than ALFA IN's own service personnel or with prior written consent obtained from ALFA IN Service Department.
 - b) Equipment that has been used beyond the specifications established in the operating manual.
 - c) Installation not in accordance with the installation/operating manual.
 - d) Any product that has been subjected to abuse, misuse, negligence or accident.
 - e) Failure to clean and maintain (including lack of lubrication, maintenance and protection), the machine as set forth in the operating, installation or service manual.
6. Within this operating manual are details regarding the maintenance

necessary to ensure trouble free operation.



Warranty repairs must be performed by either an ALFA IN Service Centre, an ALFA IN distributor or an Authorised Service Agent approved by the company ALFA IN.

7. As a warranty list serves proof of purchase (invoice) on which is the serial number of the machine, eventually a warranty list on the last page of this manual.
8. The manufacturer's warranty is not applicable to defects in the cooling circuit when using liquids other than ACL-10.

22. DISPOSAL



Only for EU countries. Do not dispose of electric tools together with household waste material.

In accordance with European Council Directive 2002/96/EC on electrical and electronic equipment waste and its implementation in accordance with national law, electric tools that have reached the end of their service life must be collected separately and returned to an environmentally compatible recycling facility.

23. WARRANTY LIST

As a warranty list serves proof of purchase (invoice) on which is the serial number of the machine, eventually a warranty list below, which is filled in by an authorized dealer.

Serial number:	
Day, month (written in words) and year of sale:	
Stamp and dealer signature:	